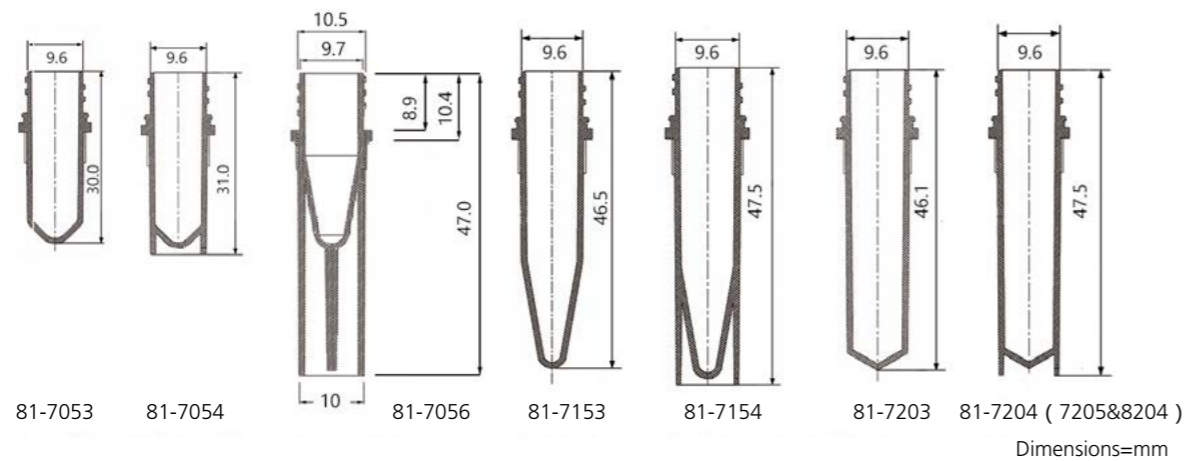


Cryogenic Vials



>> Features

- Made of medical grade polypropylene
- Autoclavable
- Can be repeatedly frozen and thawed
- Universal screw threads
- Vials fit most common rotors
- Vials fit standard 1-inch and 2-inch freezer boxes
- Gamma radiation sterilized
- DNase & RNase free, endotoxin free, and human DNA free
- 81-8204 2ml self-standing vials have a white writing area and black graduations



Cat #	Volume	Color	Height	Bottom	Writing Area	Sterile	Unit	Total
81-7053*	0.5ml	Clear	30.0	Conical	No	Yes	50 /Bag, 10 Bags/Pack, 4 Packs/Case	2000 /Case
81-7054	0.5ml	Clear	31.0	Self-Standing	No	Yes	50 /Bag, 10 Bags/Pack, 4 Packs/Case	2000 /Case
81-7055	0.5ml	Brown	47.5	Self-Standing	No	Yes	50 /Bag, 10 Bags/Pack, 4 Packs/Case	2000 /Case
81-7056	0.5ml	Clear	47.5	Self-Standing	No	Yes	50 /Bag, 10 Bags/Pack, 4 Packs/Case	2000 /Case
81-7153	1.5ml	Clear	46.5	Conical	No	Yes	50 /Bag, 10 Bags/Pack, 4 Packs/Case	2000 /Case
81-7154	1.5ml	Clear	47.5	Self-Standing	No	Yes	50 /Bag, 10 Bags/Pack, 4 Packs/Case	2000 /Case
81-7203	2.0ml	Clear	46.1	Conical	No	Yes	50 /Bag, 10 Bags/Pack, 4 Packs/Case	2000 /Case
81-7204	2.0ml	Clear	47.5	Self-Standing	No	Yes	50 /Bag, 10 Bags/Pack, 4 Packs/Case	2000 /Case
81-7205	2.0ml	Brown	47.5	Self-Standing	No	Yes	50 /Bag, 10 Bags/Pack, 4 Packs/Case	2000 /Case
81-8204	2.0ml	Clear	47.5	Self-Standing	Yes	Yes	50 /Bag, 10 Bags/Pack, 4 Packs/Case	2000 /Case

* Call for details.

Traditional Cryogenic Vials

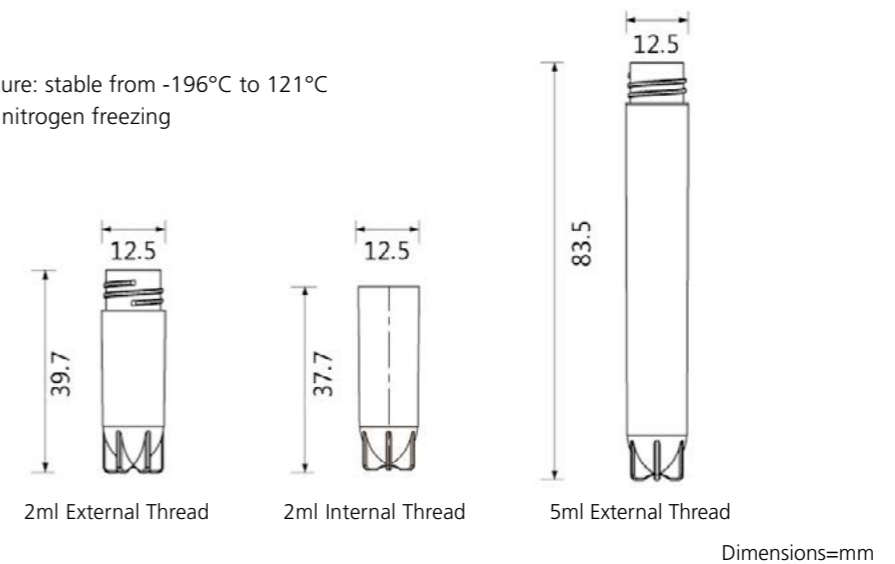


>> Features

- Made of medical grade polypropylene; Autoclavable; and can be repeatedly frozen and thawed
- 5ml cryogenic vials are available with external screw threads, and 2ml cryogenic vials are available with both external screw threads and internal screw threads. External thread screw vials' caps have no o-ring, which reduces the possibility of contamination
- Fit 9x9 (81-well) standard cryogenic boxes
- 7 different colored screw caps, tubes with black graduation printing, tubes top with white writing area, base with six corners, convenient to be operated
- Gamma radiations sterilized, RNase and DNase free, endotoxin free and foreign DNA free
- Pre-set 1D barcodes and numbers on sides for immediate scanning or visual identification
- 6 different colored markers: red, yellow, white, blue, purple, green

Specifications

- Working temperature: stable from -196°C to 121°C
- Suitable for liquid nitrogen freezing



Cat #	Type	Thread Type	Volume	Bottom	Side Barcode	Writing Area	Sterile	Unit	Total
88-621X	Tubes	Internal	2ml	Self-Standing	Yes	Yes	Yes	25 Sets/Bag, 40 Bags/Case	1000 Sets/Case
88-620X	Tubes	External	2ml	Self-Standing	Yes	Yes	Yes	25 Sets/Bag, 40 Bags/Case	1000 Sets/Case
88-650X	Tubes	External	5ml	Self-Standing	Yes	Yes	Yes	25 Sets/Bag, 40 Bags/Case	1000 Sets/Case
88-600X	Markers	-	-	-	-	-	-	100 Sets/Bag, 30 Bags/Case	3000 Sets/Case

X—Color of Caps : 0—White, 1—Red, 2—Green, 3—Blue, 4—Yellow*, 5—Purple, 7—Clear

* Call for details.