

96-well SBS Cryogenic Vials

I. APPLICATIONS

1. Sample collection
2. Sample transportation
3. Sample storage
4. Dispensing samples

II. VIAL FEATURES

1. Material: Strong, medical-grade polypropylene
2. Laser etched 2D barcodes and human-readable codes, resistant to DMSO and other organic solvents
3. Working temperature: stable from -196°C to 121°C
4. Suitable for -86°C and liquid nitrogen freezing
5. Sterile, RNase & DNase Free, Endotoxin Free, Foreign DNA Free

III. VIAL DESIGN

1. Caps: Double color injection, TPE sealing ring
2. Octagon caps
3. Pre-set 2D barcode and human-readable codes on the bottom
4. Fit SBS format cryogenic racks

IV. PACKAGING

Item	Description	Packaging	Sterile
88-4033	300µl, Internal thread, blue caps	96 Sets/Bag, 10 Bags/Pack, 2 Packs/Case	Yes
88-4053	500µl, Internal thread, blue caps	96 Sets/Bag, 10 Bags/Pack, 2 Packs/Case	Yes
88-4083	750µl, Internal thread, blue caps	96 Sets/Bag, 10 Bags/Pack, 2 Packs/Case	Yes
88-4103	1000µl, Internal thread, blue caps	96 Sets/Bag, 10 Bags/Pack, 2 Packs/Case	Yes

V. STERILITY

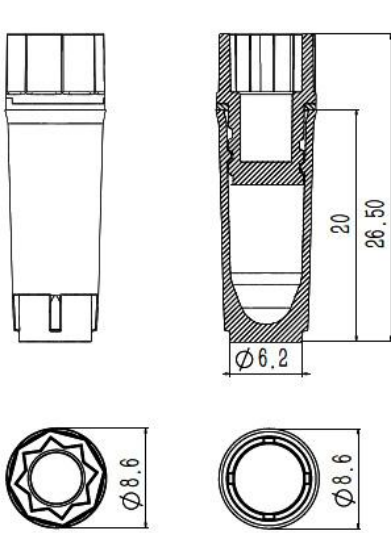
For each lot, sterilization records are recorded and signed off by qualified personnel for product release.

VI. CERTIFICATION

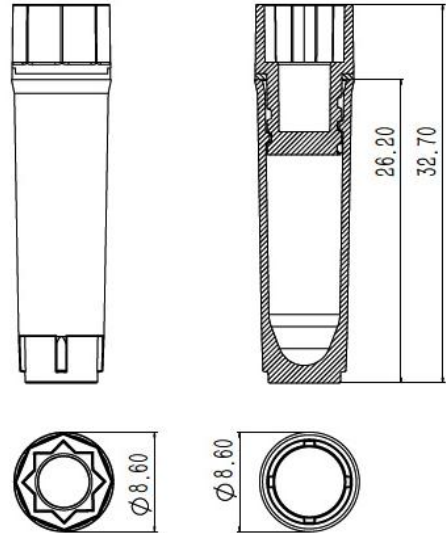
Biologix products are manufactured completely according to the TUV ISO 9001:2008 standard.

VII. PRODUCT PARAMETER

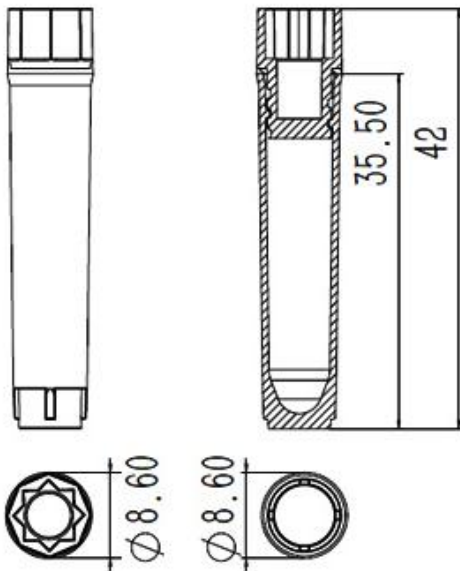
Dimensions=mm



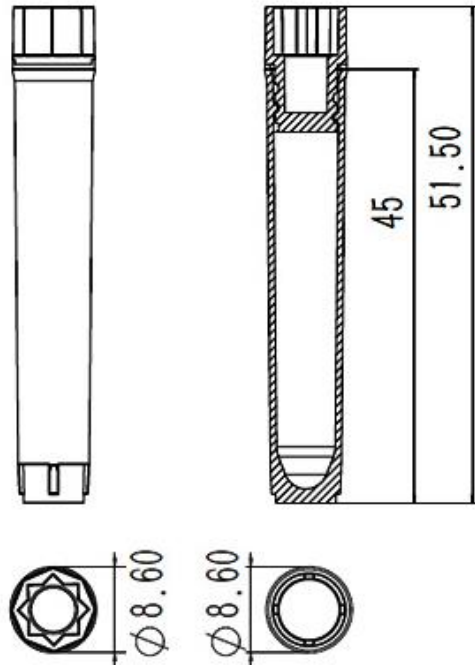
88-4033



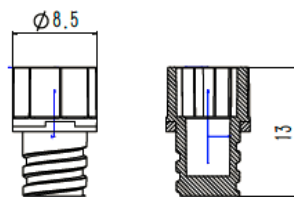
88-4053



88-4083



88-4103



Caps