

PCR Tubes

I. APPLICATIONS

1. Molecular biology
2. Cell centrifugation
3. Sample storage
4. Centrifugation of precipitates

II. FEATURES

1. Materials: Virgin polypropylene
2. Chemically resistant to alcohols and mild organic solvents
3. Transparent wall permits easy viewing of tube contents
4. Temperature range: stable from -20°C to 100°C
5. Tested to withstand centrifugation of 6,000 RCF in a fully supported rotor
6. Certified RNase & DNase Free
7. Extra transparent caps allow for RT-PCR applications

III. TUBE DESIGN

1. Available in 0.2ml version
2. Conical bottom design fits most standard floor model and table-top centrifuges
3. Thin walls to accelerate temperature transfer
4. Clearly visible with either clear or turbid samples

IV. CAP DESIGN

1. 0.2ml single PCR tubes
 - a) Available in flat-top design
 - b) Available in dome-shaped design
2. 0.2ml 8-Strip PCR tubes
 - a) Available in flat-top design
 - b) Available in dome-shaped design

V. PACKAGING

1. 0.2ml single PCR tubes: 1,000 tubes/pack, 10 packs/case
2. 0.2ml 8-Strip PCR tubes: 125 strips/pack, 10 packs/case

VI. DESCRIPTION

| Item | Description | Packaging | Sterile |
|---------|----------------------------|---------------------------------|---------|
| 60-0082 | 0.2ml single, Flat-top | 1,000 tubes/pack, 10 packs/case | No |
| 60-0002 | 0.2ml single, Dome-shaped | 1,000 tubes/pack, 10 packs/case | No |
| 60-0088 | 0.2ml 8-Strip, Flat-top | 125 strips/pack, 10 packs/case | No |
| 60-0008 | 0.2ml 8-Strip, Dome-shaped | 125 strips/pack, 10 packs/case | No |

VII. STERILITY

1. N/A

VIII. CERTIFICATION

Biologix products are manufactured completely according to the TUV ISO 9001:2008 standard.

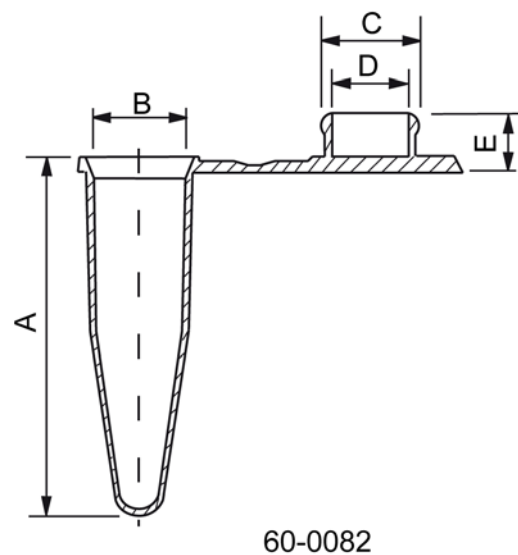
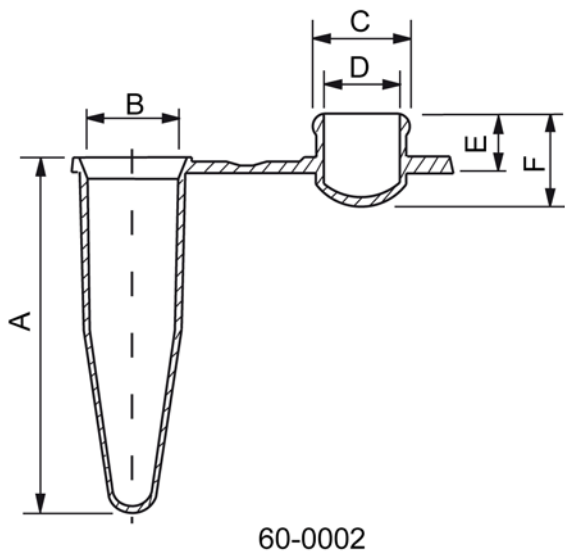
IX. RESTRICTIONS

Refer to the Chemical Resistance Chart in our catalog, and available within our online catalog.

X. PRODUCT PARAMETER

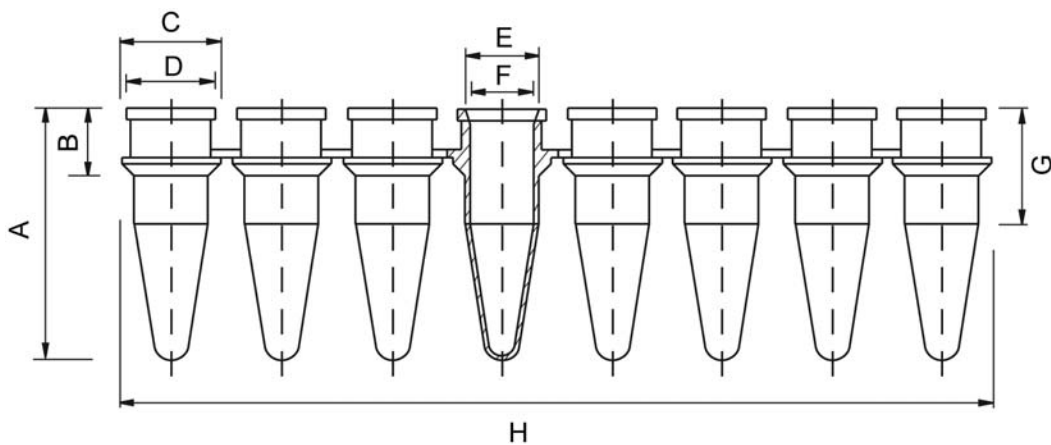
Dimensions=mm

| Cat # | Description | A | B | C | D | E | F |
|---------|-------------|-------|-----------|-----------|-----------|------|------|
| 60-0082 | Tube | 20.75 | O.D. 5.43 | O.D. 5.54 | O.D. 4.57 | 3.38 | - |
| 60-0002 | Tube | 20.75 | O.D. 5.43 | O.D. 5.54 | O.D. 4.57 | 3.38 | 5.38 |

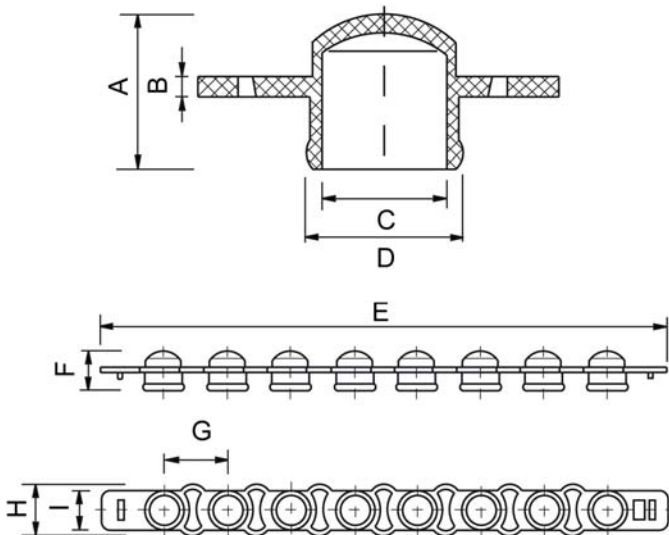


Dimensions=mm

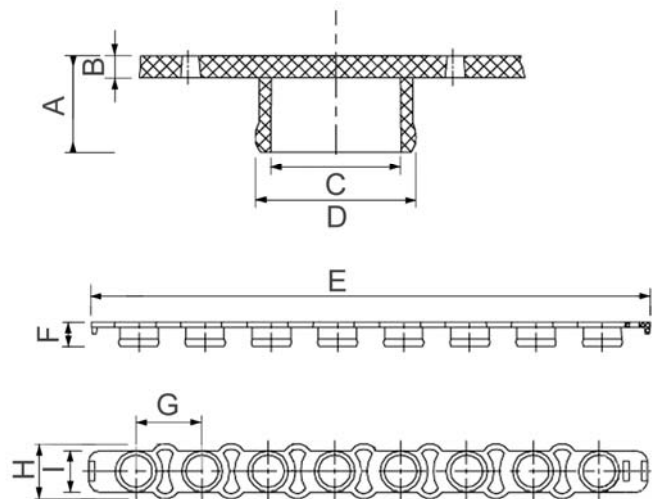
| Cat # | Description | A | B | C | D | E | F | G | H | I |
|----------|-------------|-------|------|-----------|-----------|-----------|----------|------|-------|------|
| 60-0008 | Tube | 20.70 | 3.40 | O.D. 8.13 | O.D. 7.11 | O.D. 6.10 | O.D.5.36 | 9.35 | 71.12 | - |
| 60-0088 | Tube | 20.70 | 3.40 | O.D. 8.13 | O.D. 7.11 | O.D. 6.10 | O.D.5.36 | 9.35 | 71.12 | - |
| 60-0008C | Cap | 5.51 | 0.76 | O.D. 4.42 | O.D. 5.46 | 80.29 | 5.51 | 8.99 | 7.37 | 5.52 |
| 60-0088C | Cap | 3.28 | 0.76 | O.D. 4.42 | O.D. 5.46 | 77.6 | 3.28 | 8.99 | 7.37 | 5.52 |



60-0008



60-0008C



60-0088C