

Pipet Tips

I. APPLICATIONS

1. For use with pipettors for the measure and transfer of liquids/chemicals

II. FEATURES

1. Materials: Strong, medical-grade polypropylene
2. Chemically resistant to alcohols and mild organic solvents
3. 100% inert
4. Both tips and racks are autoclavable
5. Universal fit
6. Certified RNase & DNase Free

III. TIP DESIGN

1. 10µl, 200µl, and 1000µl tip sizes
2. All sizes available in non-sterile bulk or sterile racked packaging
3. 10µl and 200µl tip, extended 1000µl, and extra-Long 1000µl are graduated, 1000µl is non-graduated

IV. PACKAGING

1. Bulk Tips (10µl, 200µl, 1000µl, and Extended 1000µl, Extra-Long 1000µl)
 - a). 10µl: Packaged 1,000 tips/bag, 2 bag/pack, 5 packs/case
 - b). 200µl, 1000µl, Extended 1000µl & Extra-Long 1000µl: Packaged 1,000 tips/bag/pack, 10 packs/case

2. Racked Tips (10µl, 200µl, 1000µl and Extended 1000µl)
 - a). 10µl, 200µl: Packaged 96 tips/rack and 100 racks/case
 - b). 1000µl: Packaged 100 tips/rack and 60 racks/case
 - c). Extended 1000µl: Packaged 96 tips/rack and 60 racks/case

V. DESCRIPTION

| Item | Size | Packaging | Sterile |
|---------|--------------------|--|---------|
| 20-0010 | 10µl | Bulk, 1,000 /bag, 2 bag/pack, 5 packs/case | No |
| 20-0200 | 200µl | Bulk, 1,000 /bag/pack, 10 packs/case | No |
| 20-1000 | 1000µl | Bulk, 1,000 /bag/pack, 10 packs/case | No |
| 20-1250 | Extended 1000µl | Bulk, 1,000 /bag/pack, 10 packs/case | No |
| 21-0010 | 10µl | Racked, 96 tips/rack and 100 racks/case | Yes |
| 21-0200 | 200µl | Racked, 96 tips/rack and 100 racks/case | Yes |
| 21-1000 | 1000µl | Racked, 100 tips/rack and 60 racks/case | Yes |
| 21-1250 | Extended 1000µl | Racked, 96 tips/rack and 60 racks/case | Yes |
| 20-1251 | Extra-Long, 1000µl | Bulk, 1,000 /bag/pack, 10 packs/case | No |

VI. STERILITY

1. Products are EO Sterilized according to ISO13485 standard.
2. For each lot, sterilization records are recorded and signed off by qualified personnel for product release.

VII. CERTIFICATION

Biologix products are manufactured completely according to the TUV ISO 9001:2008 standard.

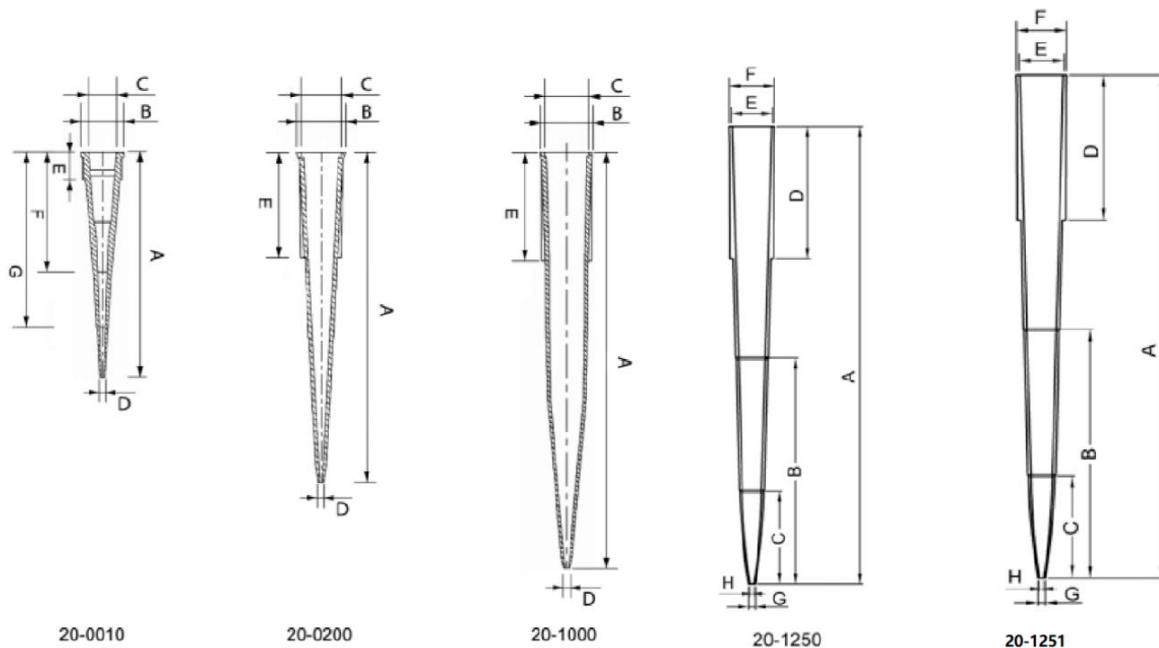
VIII. RESTRICTIONS

Refer to the Chemical Resistance Chart in our catalog, and available within our online catalog.

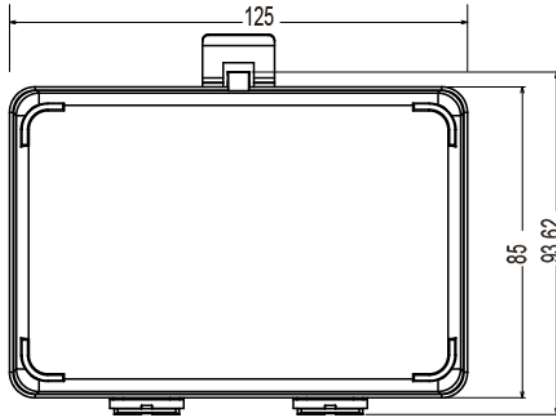
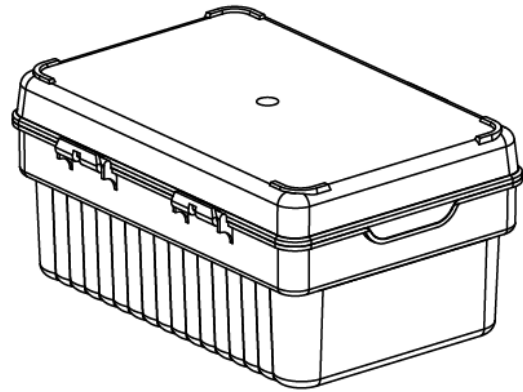
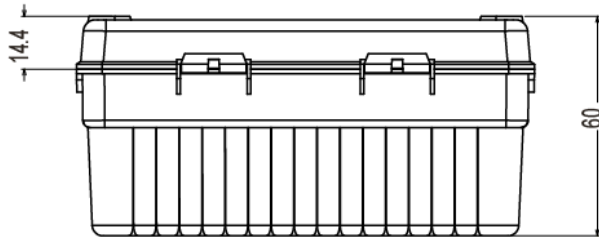
IX. PRODUCT PARAMETER

Dimensions = mm

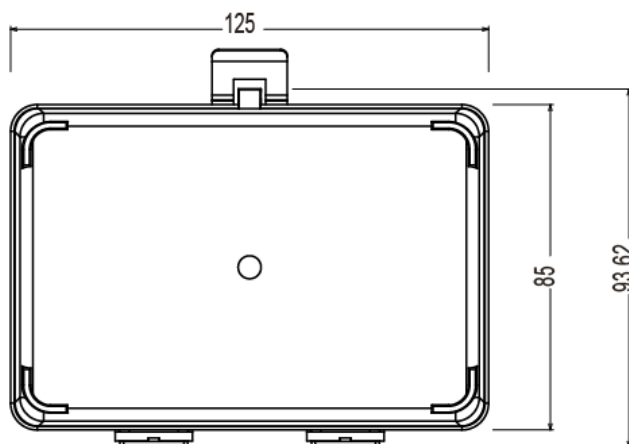
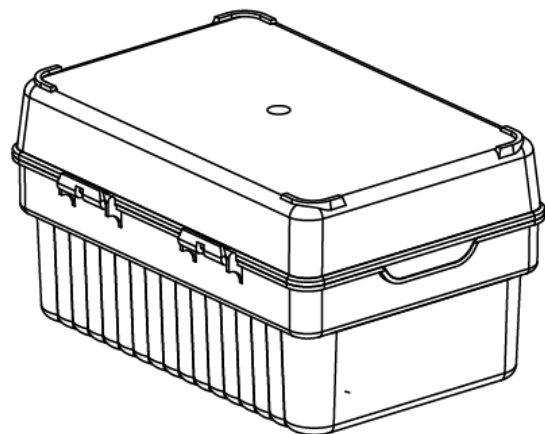
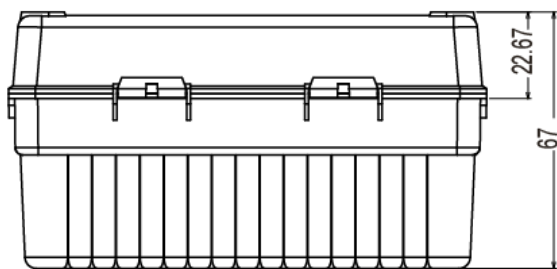
| Cat # | Description | A | B | C | D | E | F | G | H |
|---------|-------------|--------|----------|----------|-----------|-----------|-----------|-----------|----------|
| 20-0010 | Pipet Tip | 31.6 | O.D. 6.0 | O.D. 3.8 | O.D. 0.86 | 3.9 | 16.8 | 24.7 | - |
| 20-0200 | Pipet Tip | 50.5 | O.D. 7.5 | O.D. 6.1 | O.D. 0.9 | 16.1 | - | - | - |
| 20-1000 | Pipet Tip | 77.9 | O.D. 9.6 | O.D. 8.2 | O.D. 1.1 | 20.3 | - | - | - |
| 20-1250 | Pipet Tip | 88.42 | 43.41 | 17.75 | 25.53 | O.D. 7.43 | O.D. 8.6 | O.D. 1.3 | O.D.0.72 |
| 20-1251 | Pipet Tip | 101.65 | 49.22 | 25.58 | 28.50 | O.D. 7.90 | O.D. 8.71 | O.D. 1.47 | O.D.0.71 |



Dimensions=mm



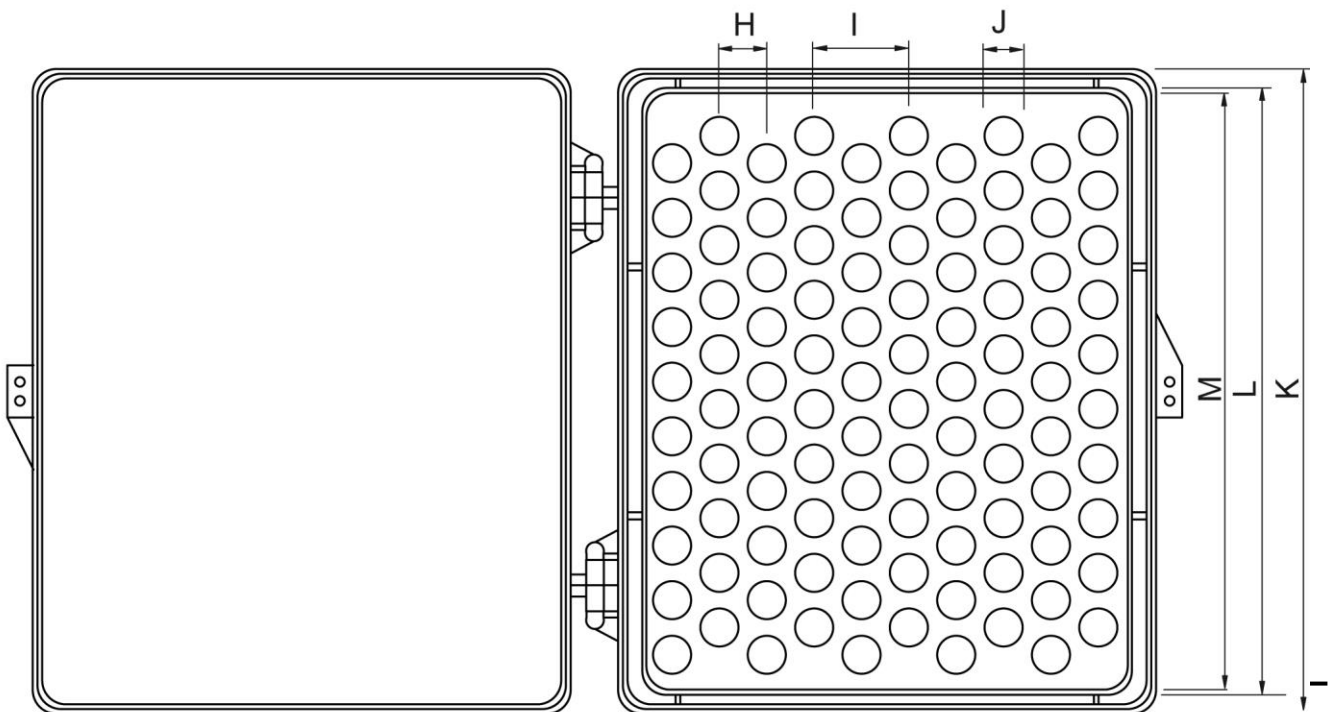
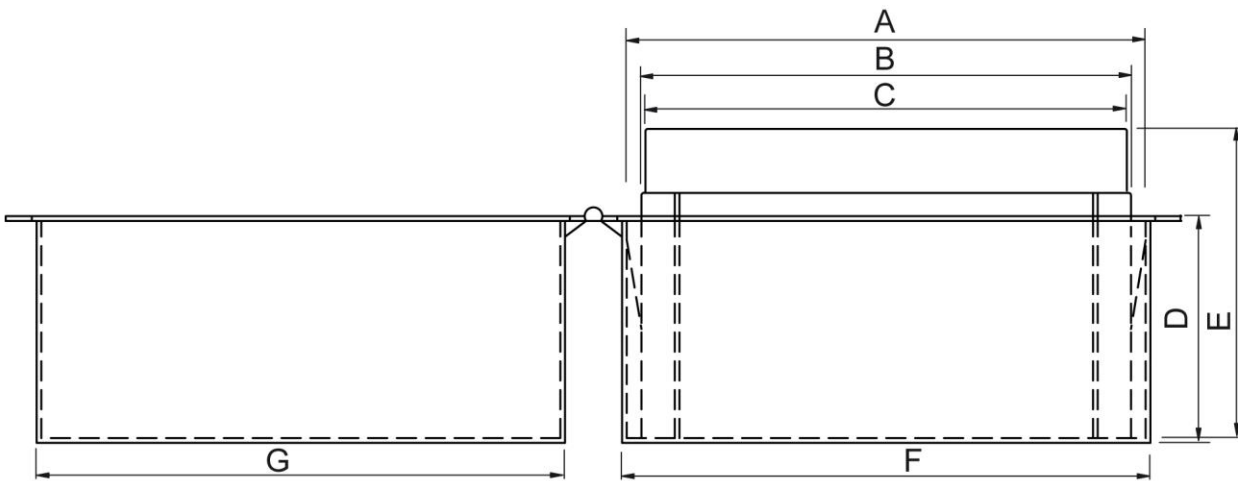
21-0010



21-0200

Dimensions=mm

| Cat # | Description | A | B | C | D | E | F | G |
|---------|-------------|-------|-------|--------|-------|------|-------|-------|
| 21-1000 | Rack | 109.3 | 103.1 | 101.4 | 48.43 | 65.2 | 111.3 | 111.3 |
| | | H | I | J | K | L | M | - |
| | | 11.52 | 19.95 | Ø 8.02 | 136 | 128 | 125.8 | - |



Dimensions=mm

| Cat # | Description | A | B | C | D | E | F | G |
|---------|-------------|------|------|----|-----|------|--------|-------|
| 21-1250 | Rack | 69.8 | 30.2 | 26 | 3.2 | 18.6 | 191.91 | 173.8 |
| | | H | I | J | K | L | - | - |
| | | 85.2 | 85.4 | 99 | 63 | 9 | - | - |

