

Tube Racks

I. APPLICATIONS

1. Storage and organization of 1.5ml or 2.0ml microtubes, and 15ml or 50ml centrifuge tubes

II. FEATURES

1. Materials: strong polypropylene
2. Chemically resistant to alcohols and mild organic solvents
3. Autoclavable

III. RACK DESIGN

1. Microtube Racks: 80 wells, Centrifuge tube Racks: 25 wells or 50 wells
2. Microtube Racks: 5 assorted colors: blue, green, red, yellow, and purple
Centrifuge tube Racks: Blue
3. Microtube Racks: Holds 1.5ml or 2.0ml microtubes
Centrifuge tube Racks: Holds 15ml or 50ml centrifuge tubes

IV. PACKAGING

1. Microtube Racks : Bulk, 20 racks/case, Assorted colors
- 2, Centrifuge tube Racks: 1 sets/bag, 20 sets/case

V. DESCRIPTION

Item	Description	Packaging	Sterile
90-8009	80 well microtube rack	Bulk, 20 racks/case, assorted colors	No
90-1550	50ml Centrifuge tube rack	1 sets/bag, 20 sets/case	No
90-5025	15ml Centrifuge tube rack	1 sets/bag, 20 sets/case	No

VI. STERILITY

1. N/A

VII. CERTIFICATION

Biologix products are manufactured completely according to the TUV ISO 9001:2008 standard.

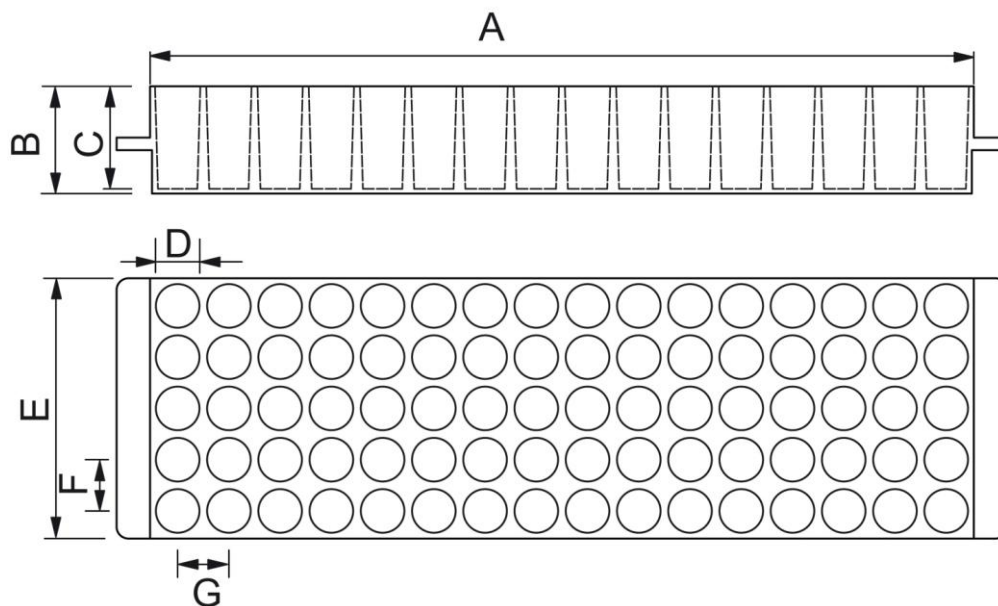
VIII. RESTRICTIONS

Refer to the Chemical Resistance Chart in our catalog, and available within our online catalog.

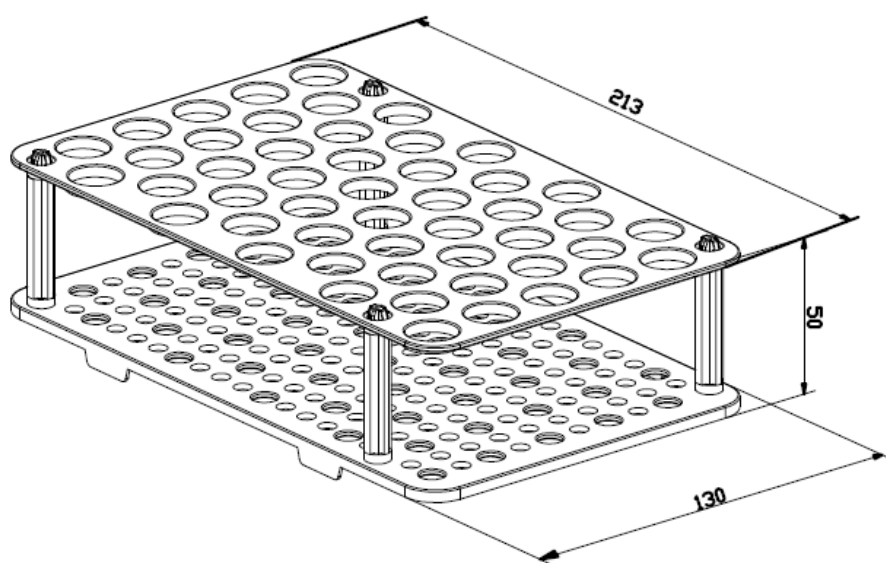
IX. PRODUCT PARAMETER

Dimensions=mm

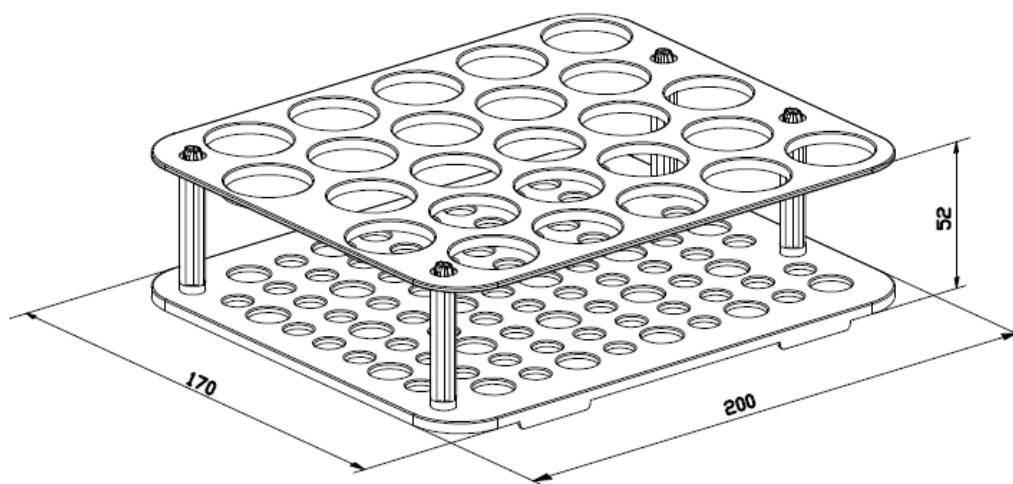
Cat #	Description	A	B	C	D	E	F	G
90-8009	Racks	209	27.2	26	O.D. 11.4	66	13	13



90-8009



90-1550



90-5025